

BAR BUTTON

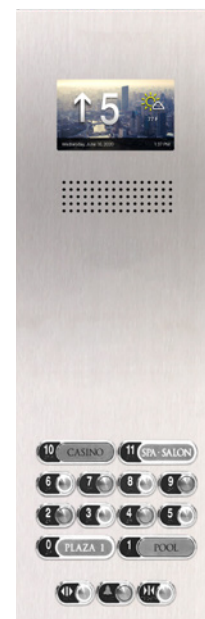


We've Raised the Bar.

Finally, a Bar Button with style.

The MAD Bar Button is a vandal resistant, extra long button made from either brushed brass, PVD brass, or stainless steel and housed in a cast body. The Bar Button matches our Julius series with integrated ADA tactile (custom or blank pushbutton), making it the aesthetic choice for your fixture.

- Studless Mounting
- Vandal-resistant
- Stainless Steel or PVD Brass, non-tarnishing finish
- Available Styles: Illuminated, Engraved, Etched, or Blank
- LED Illumination available in Red, Green, Blue & White Custom button marking (Amerigo Md BT font below)



Stainless Steel COP shown with 7" Matisse TFT PI, BS Moon and Bar Button pushbuttons, and Julius surround tactile.



Illuminated Bar Button with Amerigo MdBT font



Engraved/Etched Bar Button with custom font

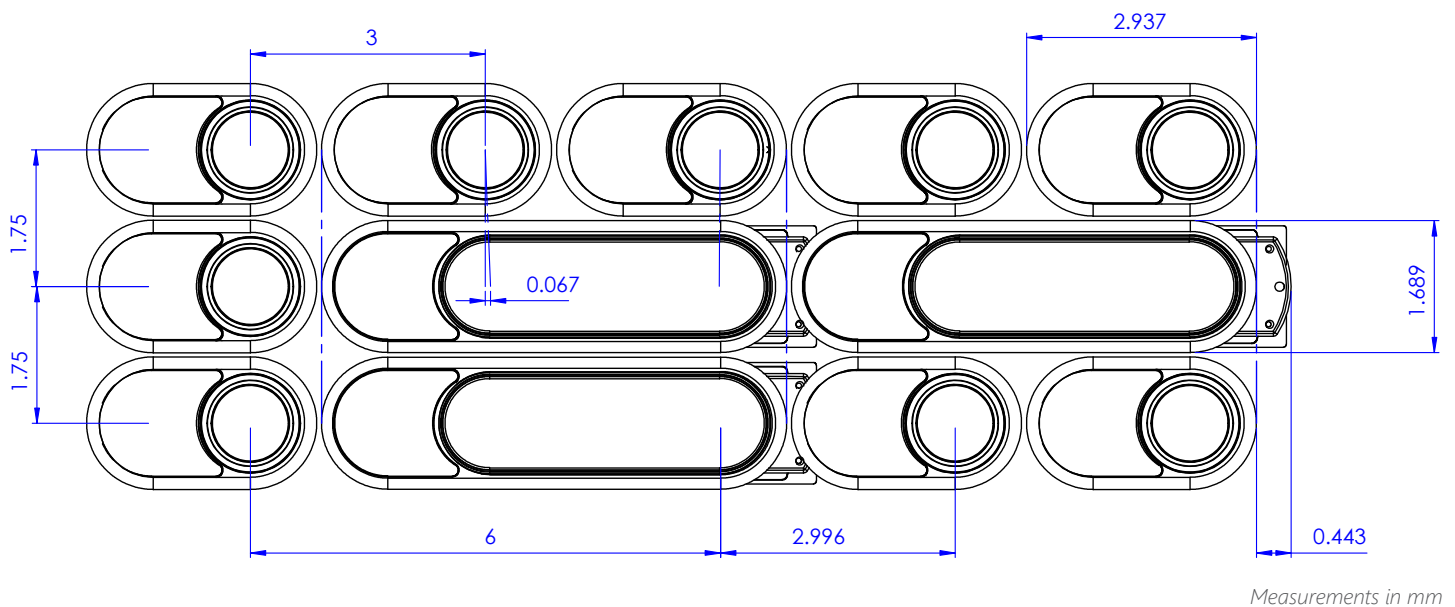


Blank Bar Button

General Details

General:	Polycarbonate pushbutton with a stainless steel face. Studless mounting fastening on plates from 11 to 22 gauge thick
Pressel:	Polycarbonate with stainless steel face
Contacts:	Available with one or two microswitch (2NO/1 NC)
Wiring:	Screw terminals
Voltage:	24V AC/DC
Illumination:	LED illumination of character and halo
Stroke:	0.040"
Avg. Life:	1,500,000 activations

COP Layout: Front View



Component Ordering Information

BZBXF44MX.XX

Finish

V - Stainless Steel
Y - Brass

Illumination

B - Blue
R - Red
G - Green
W - White
0 - No Illumination

Marking

00 Black
01 Lobby
02 Lobby-Pool
03 Spa-Salon
04 Pool
05 Plaza 1
06 Casino
07 Plaza 2

Please do not hesitate to contact us for any questions or concerns.
Our technical support staff is ready to assist you with any issues you may have.

