

COLOSSUS



The **Colossus** oversized pushbutton is ideal for use in environments where accessibility is the prime objective. Available in single LED illumination.

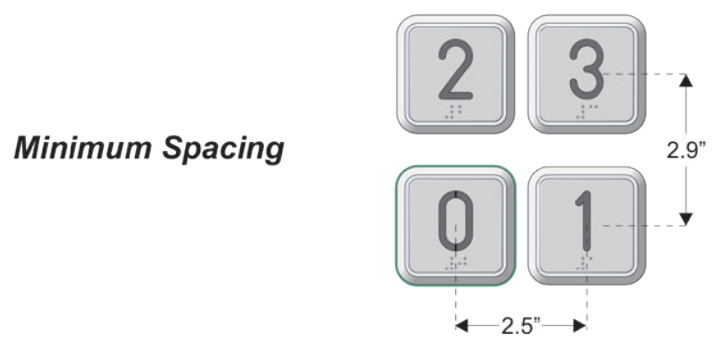
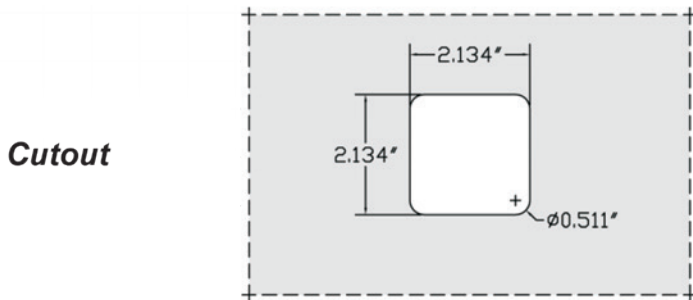
- Studless Mounting
- Shot-peen anti fingerprint Stainless Steel
- Rocker Activation



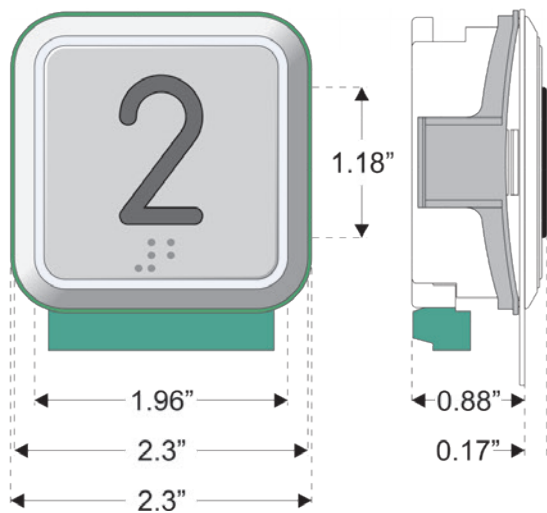
General Details

General:	Polycarbonate pushbutton with raised symbol and braille; stainless steel bezels; frontal mounting and fastening by clip ring on 0.03" to 0.3" faceplates
Pressel:	Polycarbonate with shot-peen stainless steel finishes; tactile (raised) illuminated symbol(s)
Contacts:	Microswitch, one or two contacts
Wiring:	Screw terminals
Illumination Light:	Raised symbol and halo illuminated upon activation
Cut-out:	2.1"x2.1" radius 0.3"
Stroke:	0.040"
Avg. Life:	1,500,000 activations
Degree of protection:	1P51

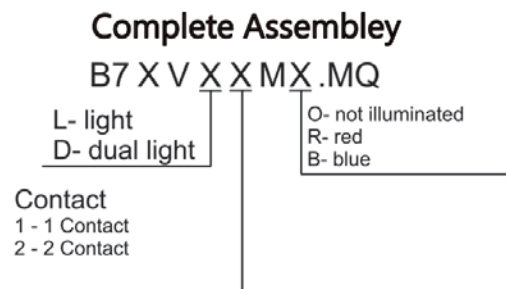
Mounting Requirements



Physical Characteristics



Component Ordering Information



Please do not hesitate to contact us for any questions or concerns. Our technical support staff is ready to assist you with any issues you may have.

