

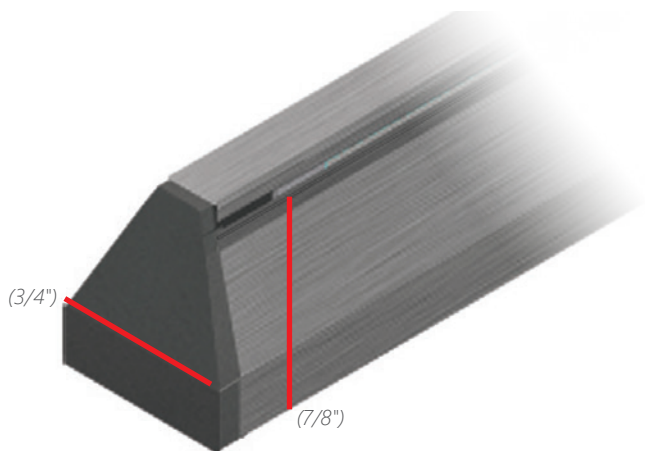
# PHANTOM



The **PHANTOM - Touchless Sensor** allows almost any elevator pushbutton to become touchless. Monitoring the area 0.5" above the pushbuttons, PHANTOM detects finger like objects and activate the button, while rejecting other objects reducing false activations.

To use, the passenger simply brings their finger in proximity of the button to activate the call. Manual button functions remain to meet all code requirements.

- Touch-free – reduce risk of germ transfer
- 11.5"H x 10.5W" touch area
- Works with most elevator pushbuttons
- Easy Installation



## General Details

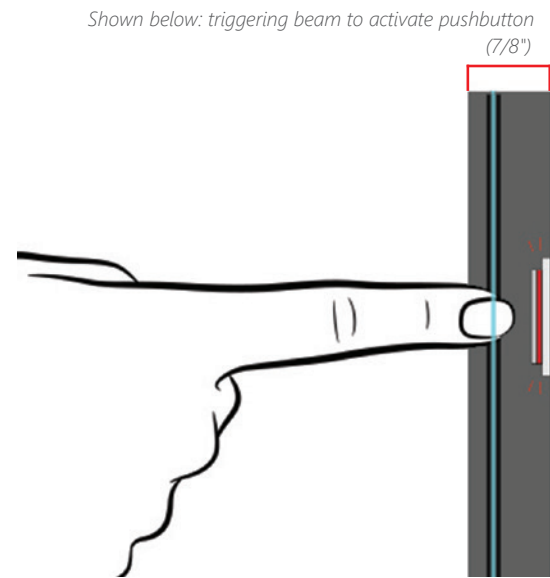
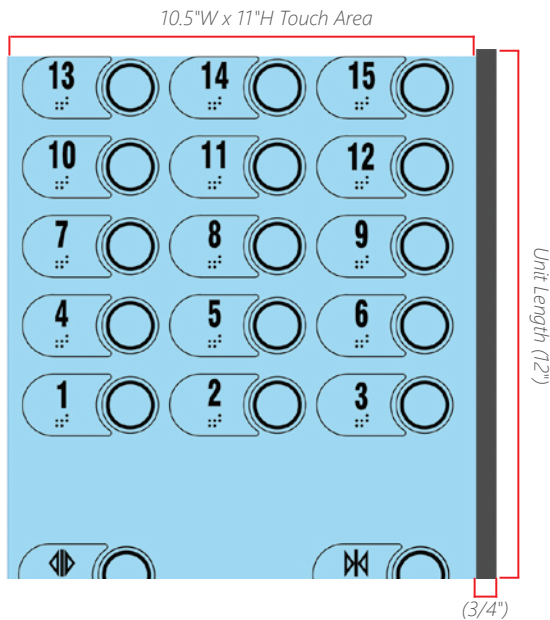
**Material:** Aluminum with plastic end caps.

**Mounting:** Surface mounted, two screws from behind.

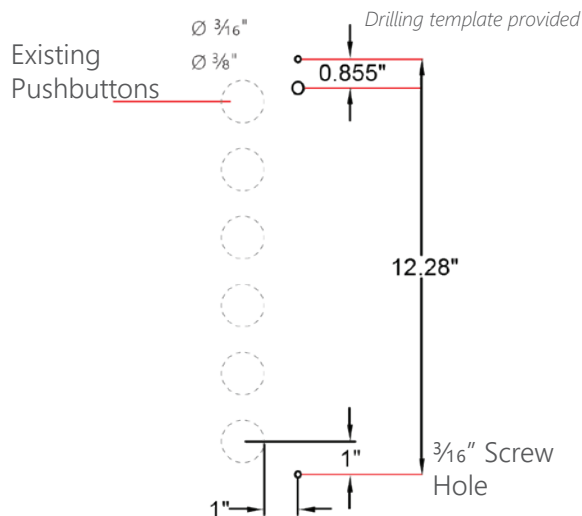
**Wiring:** Terminal block with wiring for a common wire and one signal wire per floor. COP Interface board 3X3

**Cleaning:** Wipe down with a damp cloth and mild soap

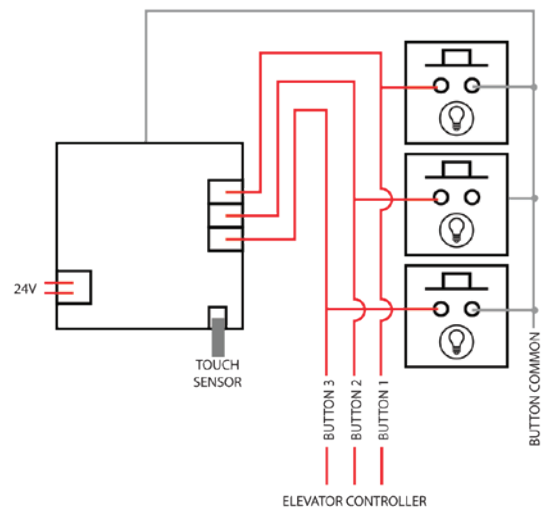
## Product Specifications



## Installation Diagram



## Wiring Diagram



Please do not hesitate to contact us for any questions or concerns. Our technical support staff is ready to assist you with any issues you may have.

