



PHANTOM Touchless Sensor - Installation Instructions

For assistance, please reach out to our Technical Support Team at: (647) 925-4520 or support@madelevator.com



Tools Needed

- Drill
- Philips screwdriver
- Flat head screwdriver
- Wire cutter
- Wire strippers
- 1/8" drill bit
- 3/16" drill bit
- 3/8" drill bit or 1/8 to 3/8" step drill bit.



Step 1

- Remove double sided tape from the location jig.
- Mount next to the buttons, ensuring the buttons are within top and bottom markings on the jig.
- Ensure that the jig is no more than 10.5" from the furthest button's edge.
- Check the inside of the COP for items/wiring that might be in the way before drilling.



Step 2

- Using the jig to locate the holes, drill 3 x 1/8" holes to start.
- Remove the jig and discard.
- Drill the top and bottom holes to 3 1/6".
- Deburr holes.
- Drill the wire hole to 3/8".
- Deburr holes.



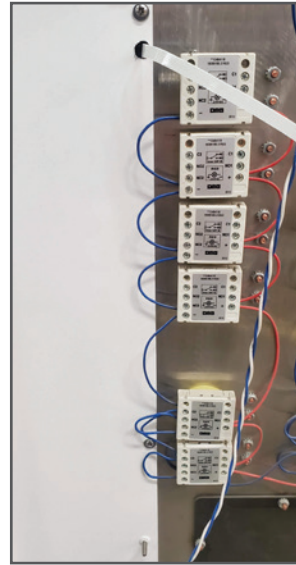
Step 3

- Clean sensor location with alcohol to ensure surfaces are free from dirt and oil.
- Remove sensor from packaging.
- Unwind the ribbon cable.
- Remove the double sided tape.



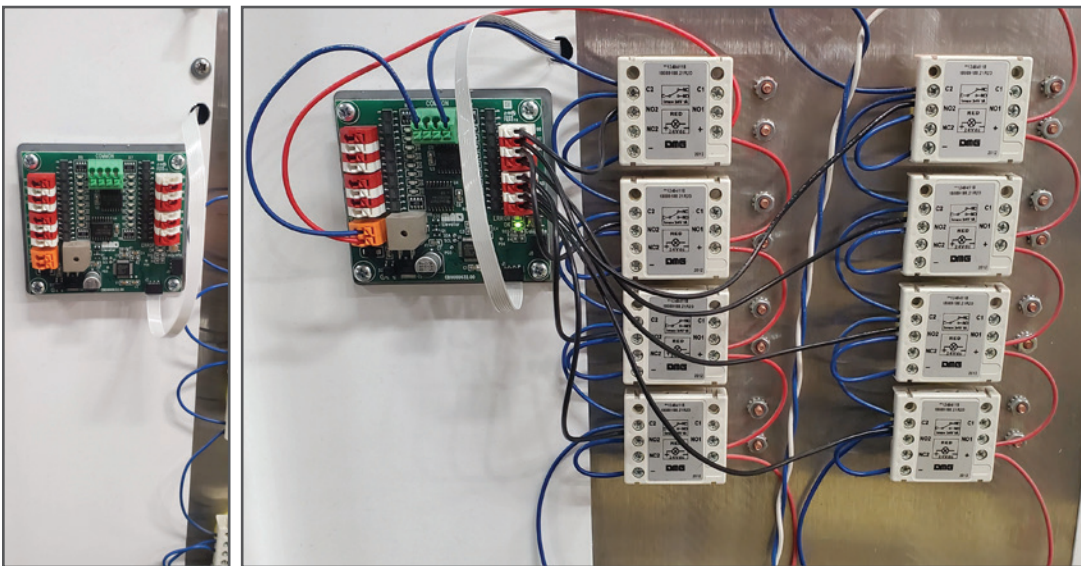
Step 4

- Pass ribbon cable through 3/8" hole in COP.
- Using the two 6-32 provided as guides, align the sensor and press to the surface.



Step 5

- On the inside of the COP, tighten 6-32 screws until snug.
- Do not overtighten.



Step 6

- Peel and mount the circuit board close to the sensor.
- If needed, utilize the side of backbox.



Step 7

- Wire the board.
- One common wire to go to the common terminal.
- One signal wire per button from the normally open contact.

See Wiring Diagram on pg. 4



Calibration Instructions



Step 8: Calibration

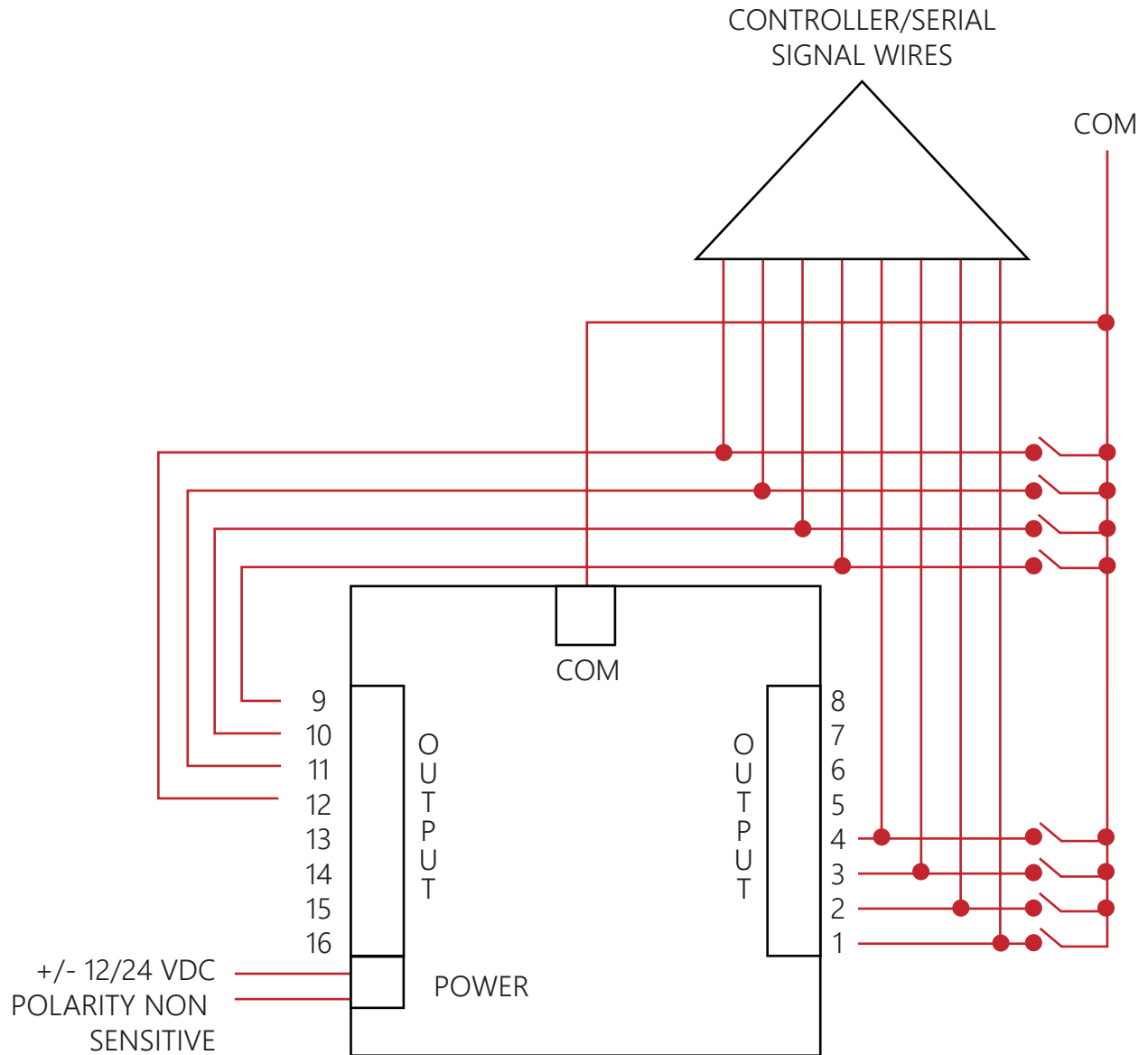
- Power the system up.
- Press the calibrate button. Unit will beep when pressed.
- Using the blunt end of a pen, press the center of each button from the bottom-most floor. Unit will beep and the floor will illuminate to show it has accepted the floor.
- Continue for each button going up.
- After the last floor has been entered, press the calibrate button to complete the process. Unit will beep.
- Test the system and return the elevator to service.

For assistance, please reach out to our Technical Support Team.

(647) 925-4520
support@madelevator.com
madelevator.com



Wiring Instructions



For assistance, please reach out to our Technical Support Team.

(647) 925-4520
support@madelevator.com
madelevator.com